

Sensor Operation

DESIGNED & ASSEMBLED IN THE USA

CP100H is a high side capacitive switch. It connects a voltage source to a load when the switch is activated.

- SH: Switch HighSide (Power source should not exceed $32V_{max}$)
- SL: Switch LowSide. (Should be connected to the load positive voltage)
- + : Swith Power (5.5VDC-32VDC)
- : Switch Ground

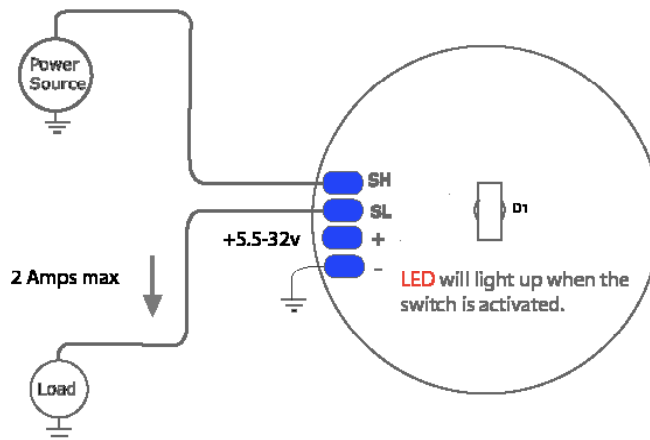
In order for the capsense switch to function properly please follow this simple procedure:

1. Make sure the capsense switch is not powered.
2. Install the capsense switch in the desired location. Depending on your application, you may apply an overlay on top of the sensing pad (overlay thickness not to exceed 3.5mm with the built in sensor).
3. Apply power to the sensor and it will operate and responds to a finger touch.

Please Note: Any changes to the sensor overlay or to the external sensor setup will require a power reset (power down then power up) to allow the sensor to re-calibrate to the overlay.

CP100H Typical Application

Battery voltage_{Max} = 32V DC.
 Load current_{Max} = 2A.



Please Note:

SH should be always connected to a higher voltage than SL otherwise the Switch will be permanetly damaged.